

PRODUCT CODE: CF1B
FLAT CRAMPET



DESCRIPTION

20mm Flat Crampet

FINISH

Black

MATERIAL

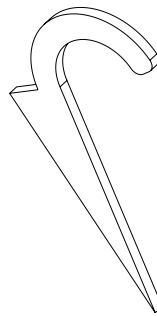
Pressed Steel

PACKAGING

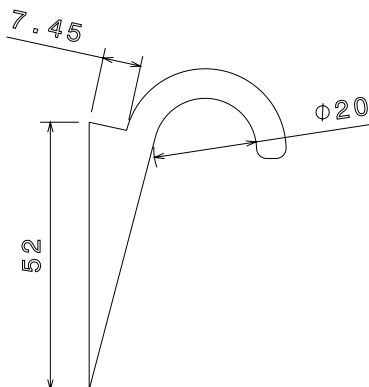
Packed in qty 100

ADDITIONAL NOTES

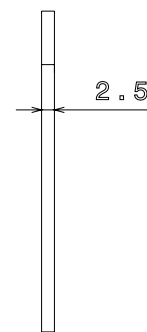
Conforms to BS EN61386-1
Compliant to LU Standard 1-085 (for use on surface & sub-surface locations)



Isometric view



Front view



Side view